



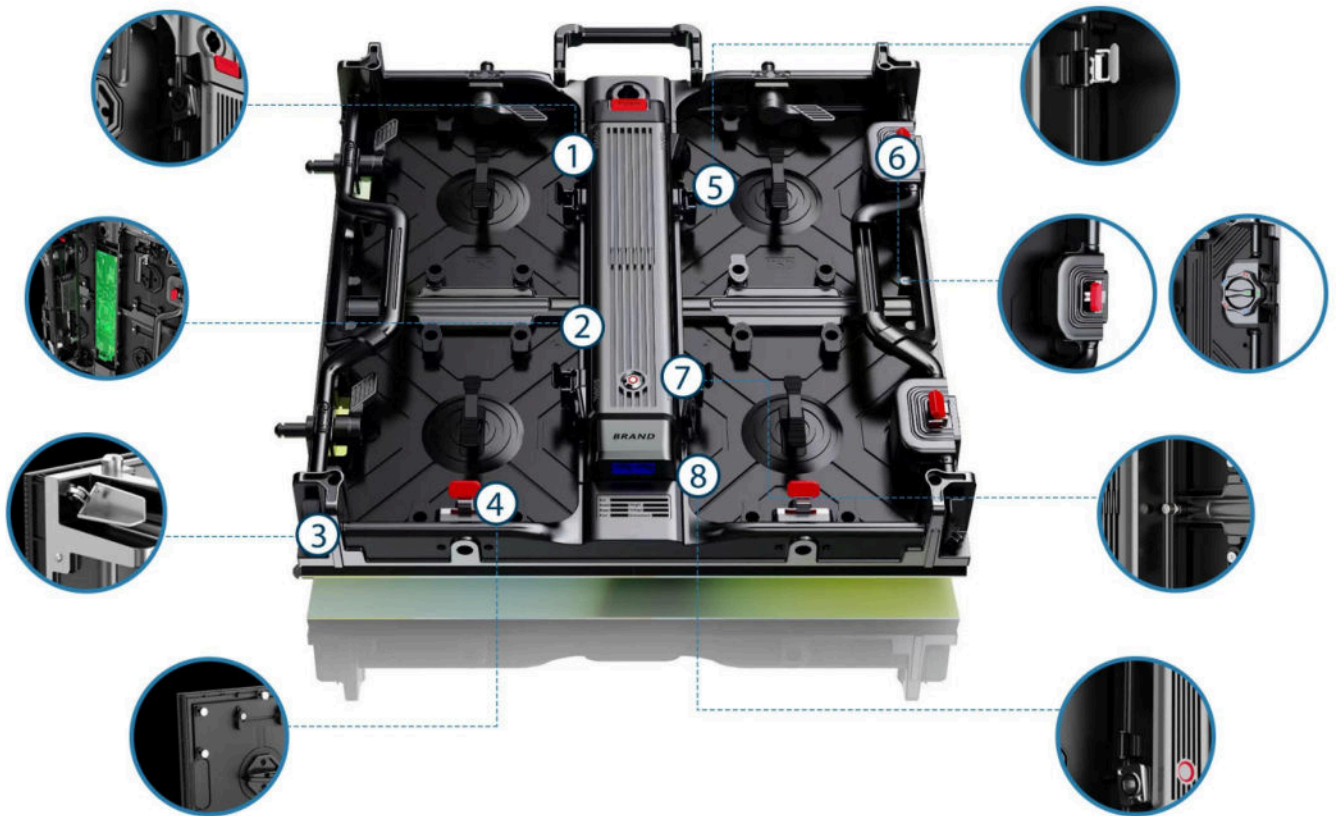
HUB Connection Rental LED Display Solutions

RH Series

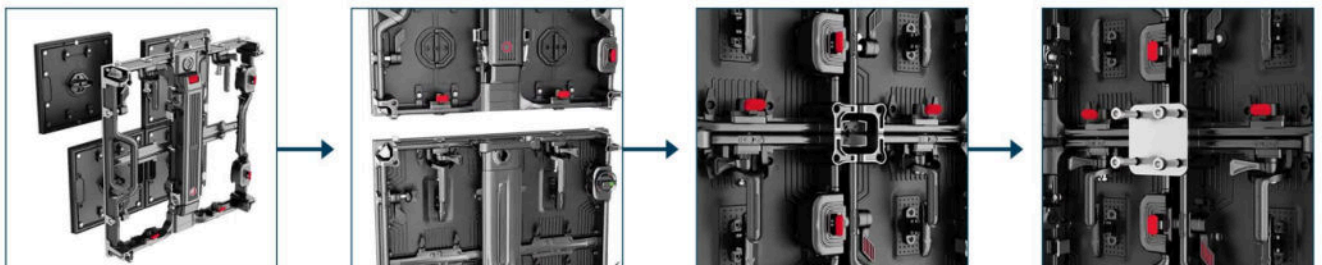
P1.95 | P2.604 | P2.976 | P3.9

Perfect Structure

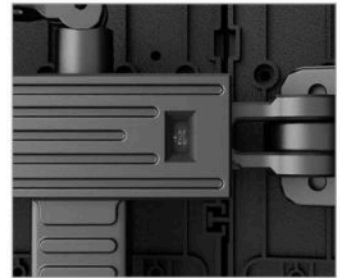
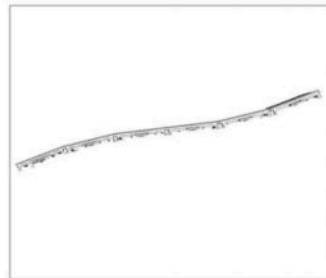
- ① Power Plug
- ② HUB Board & Power Supply
- ③ Corner Protector for Module
- ④ Magnetic Module
- ⑤ Lock Catch
- ⑥ Straight Lock & Curved Lock
- ⑦ Stainless Steel Screws
- ⑧ Signal Aviation Plug



- One man installation.
- Fast maintenance of module and power box.
- Auto-Lock & Auto-Eject systems for easy and safely .
- Two different cabinet sizes to meet usage requirements to the greatest extent.



Novel Cabinet Design



- ✓ The cabinet has $\pm 3^\circ - \pm 7^\circ$ curved lock design, can elevate the display effect to a higher level.
- ✓ Front and Rear Access, solve any problems
- ✓ The module of one-button switch design



Light weight



Unparalleled Visual Performance



Easy maintenance

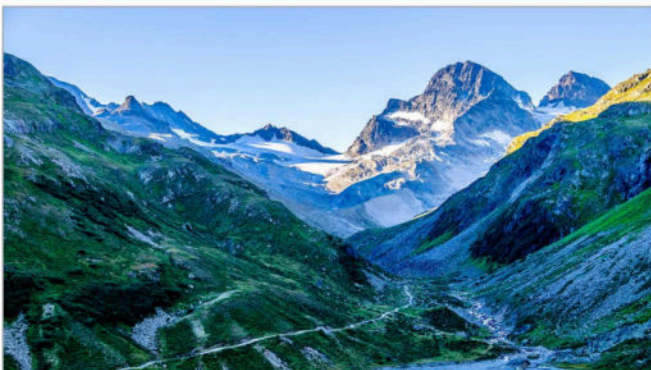


Curving Capability

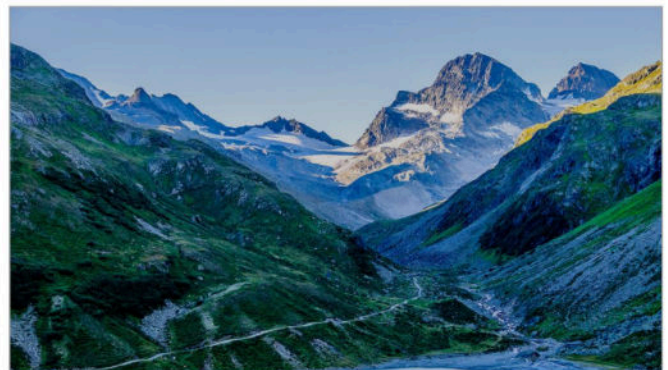


Quick Installation

For The Best Image Quality

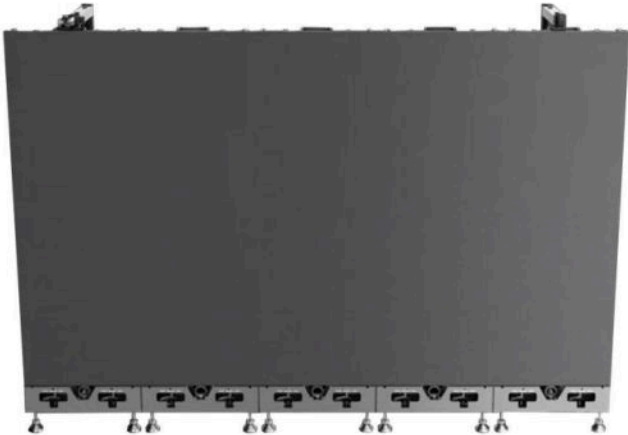
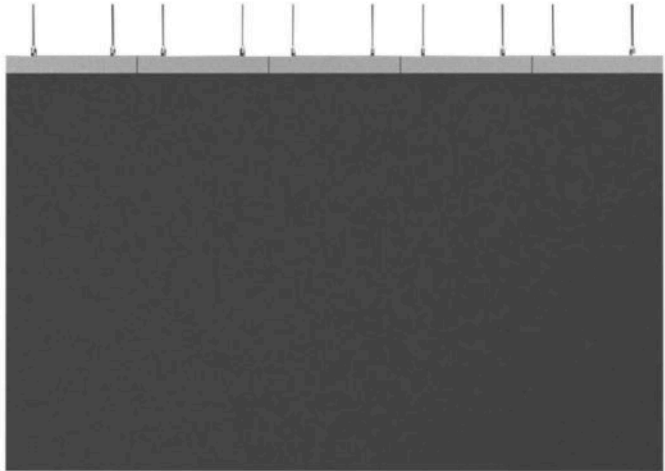


High refresh rate



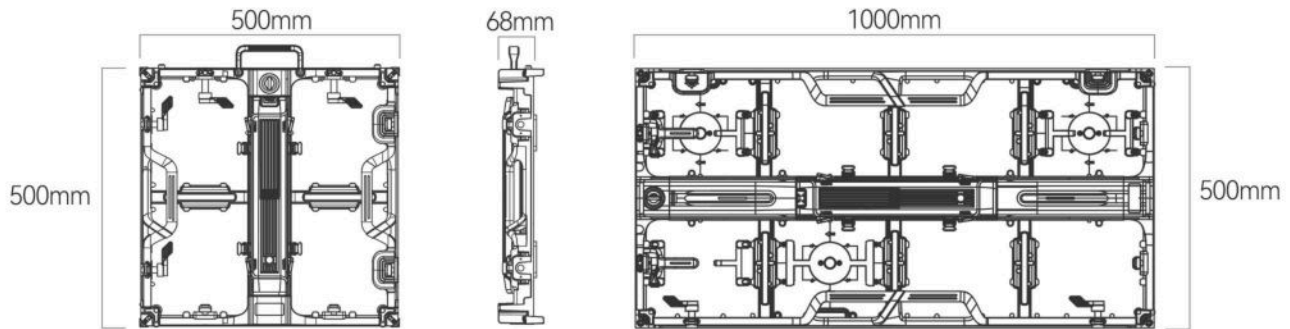
Low refresh rate

Various installation shapes to meet various usage scenarios



Appreciation of classic cases





Pixel pitch	1.95mm	2.604mm	2.976mm	3.9mm
Pixels per cabinet(500*500mm)	256×256 (HxV)	192×192 (HxV)	168×168 (HxV)	128×128 (HxV)
Pixels per cabinet(500*1000mm)	256×512 (HxV)	192×384 (HxV)	168×336 (HxV)	128×256 (HxV)
LED lifetime	100,000h			
Brightness	Indoor: 600-800nits /Outdoor:3000-5000nits			
Module size	250*250mm			
Module resolution	128*128dots	96*96dots	84*84dots	64*64dots
Refresh rate	3840-7,680Hz			
Hor. viewing angle	140° +/-5° (@50% brightness)			
Vert. viewing angle	140° +/-5° (@50% brightness)			
Brightness uniformity	>98%			
Dimming	0-100%			
Grey Level	14-16bit			
Curvature	±3°-±7°			
Avg Power consumption	200 W/m ²	200 W/m ²	225 W/m ²	225 W/m ²
Max Power consumption	400 W/m ²	400 W/m ²	450 W/m ²	450 W/m ²
Operation power voltage	100-240V/50-60Hz			
Operational temperature	-10°C to +40°C/14°F to 104°F			
Operational humidity	10-80%			
IP rating	IP50 for indoor, IP65 for outdoor			
Dimensions	500 x 500 x 80 mm/500 x 1000 x 80 mm (WxHxD)			
Weight	7.5kg (500 x 500mm cabinet)/13kg (500 x 1000 mm cabinet)			
Serviceability	Front&Rear			



✉ info@xiv-tec.com

📍 Building 4A-303, Huiye Hi-Tech Industry Park,
Fenghuang Str. Guangming District, Shenzhen, China

CE  RoHS  US